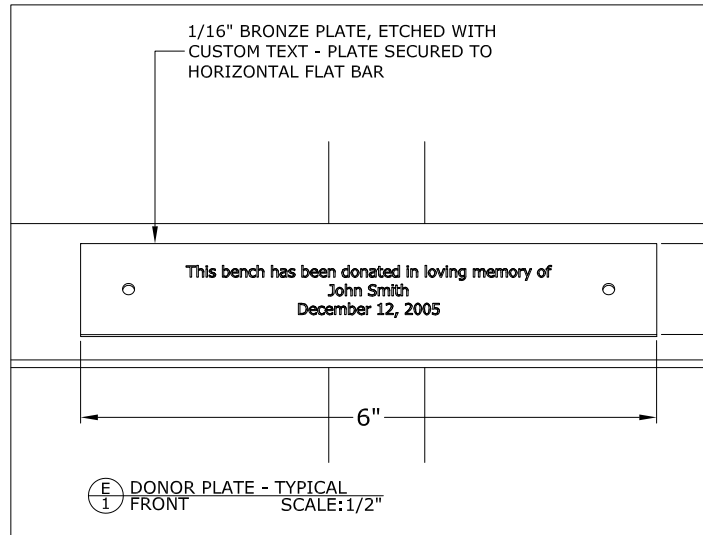
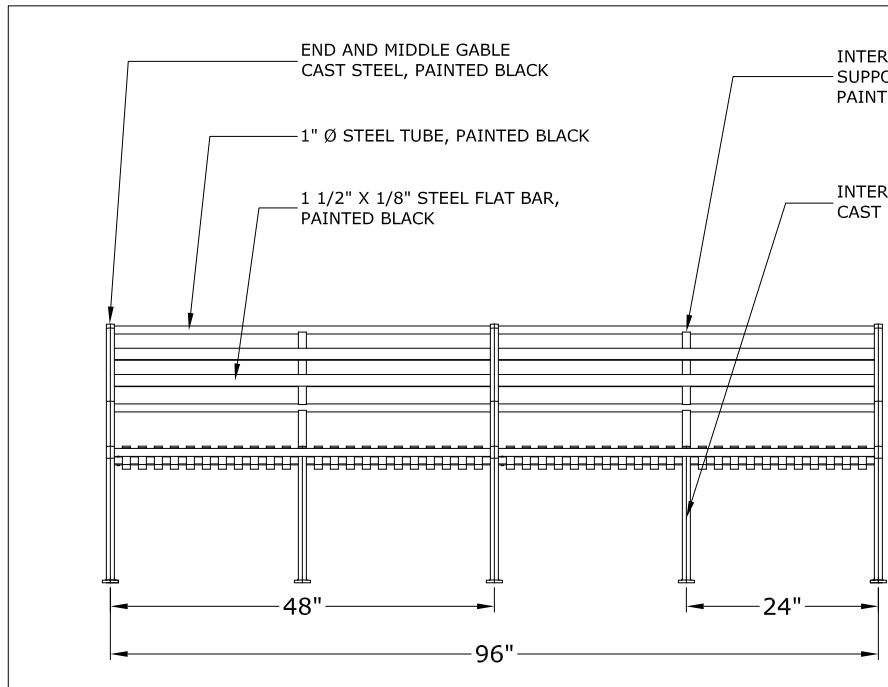


A STRAIGHT BENCH - TYPICAL END SCALE: 1/8"

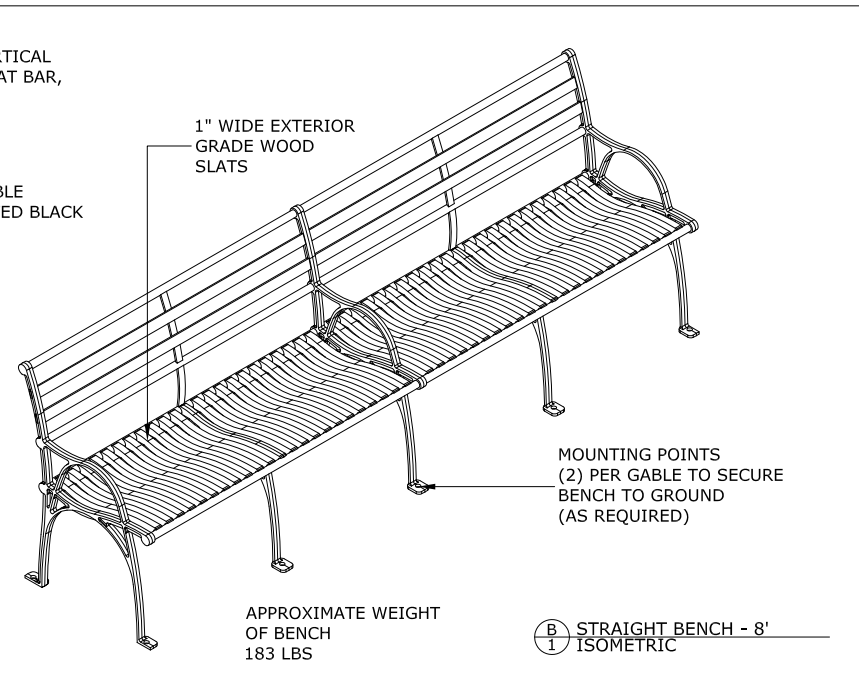
NOTES:
 1. ALL COMPONENTS TO BE FULLY WELDED
 2. INSTALLATION IS BY OTHERS
 3. ALL METAL COMPONENTS PAINTED BLACK
 4. ALL WOOD SLATS COME WITH NO FINISH



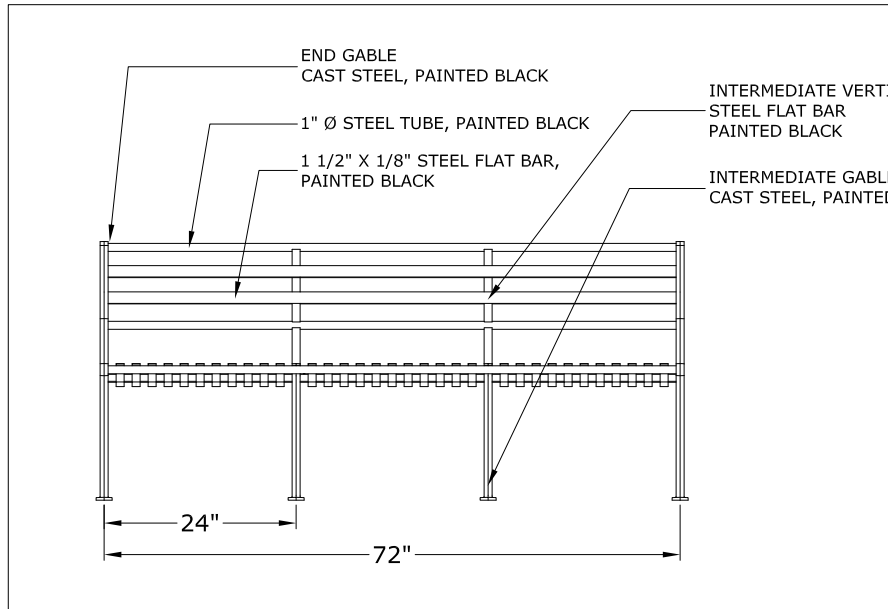
E DONOR PLATE - TYPICAL FRONT SCALE: 1/2"



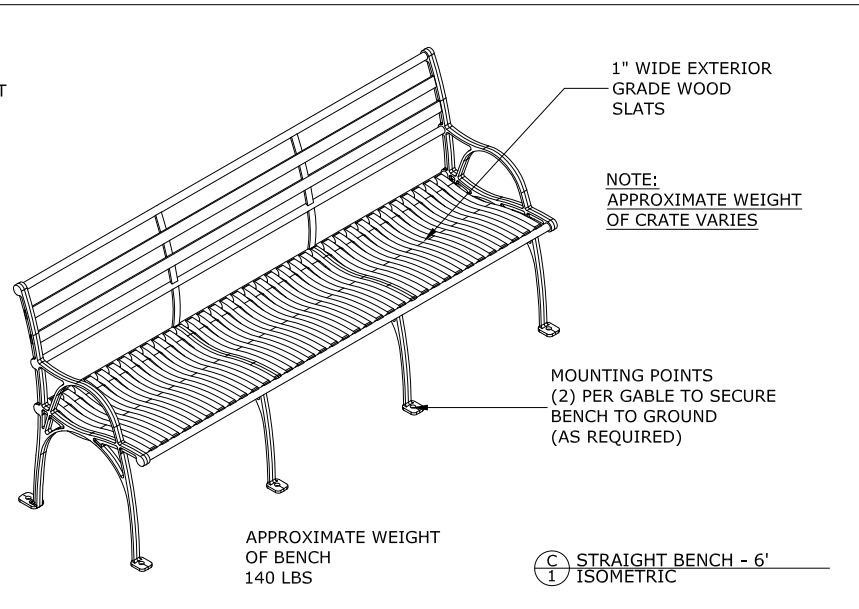
END AND MIDDLE GABLE CAST STEEL, PAINTED BLACK
 1" Ø STEEL TUBE, PAINTED BLACK
 1 1/2" X 1/8" STEEL FLAT BAR, PAINTED BLACK
 INTERMEDIATE VERTICAL SUPPORT STEEL FLAT BAR, PAINTED BLACK
 INTERMEDIATE GABLE CAST STEEL, PAINTED BLACK
 48" 96" 24"



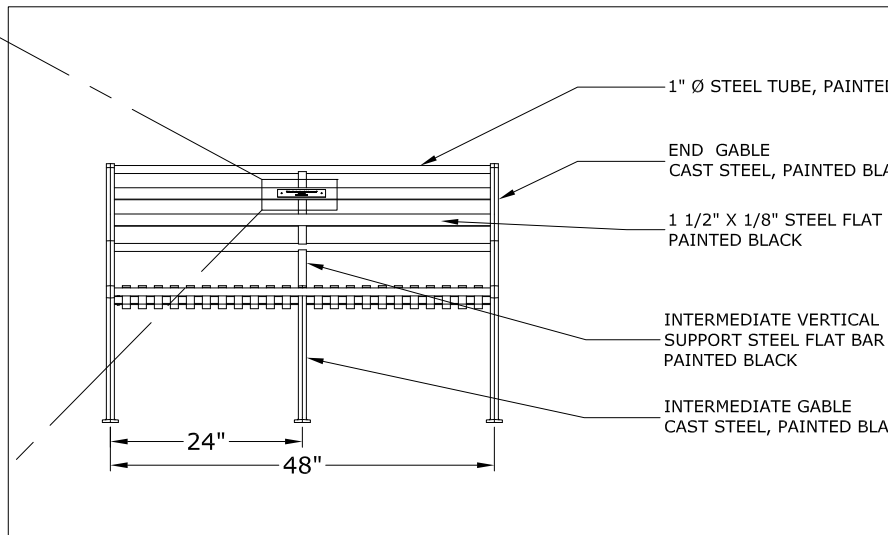
APPROXIMATE WEIGHT OF BENCH 183 LBS
 B STRAIGHT BENCH - 8' ISOMETRIC



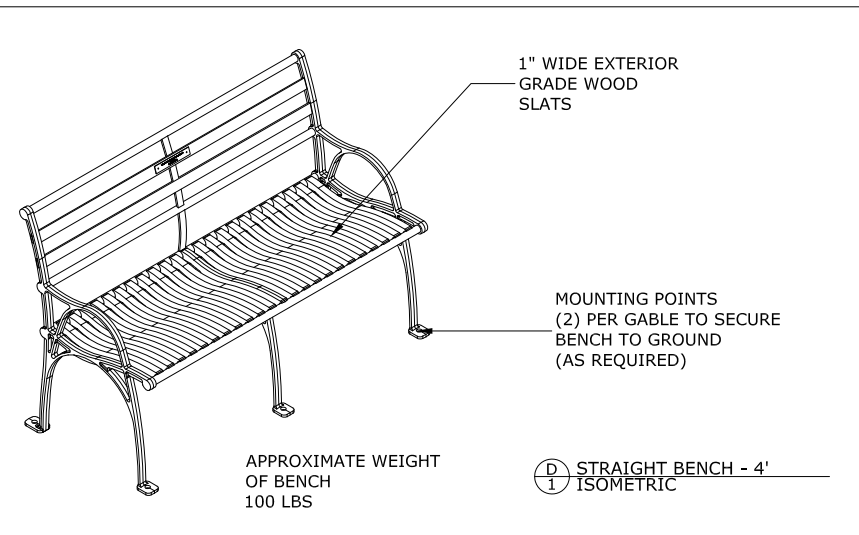
END GABLE CAST STEEL, PAINTED BLACK
 1" Ø STEEL TUBE, PAINTED BLACK
 1 1/2" X 1/8" STEEL FLAT BAR, PAINTED BLACK
 INTERMEDIATE VERTICAL SUPPORT STEEL FLAT BAR, PAINTED BLACK
 INTERMEDIATE GABLE CAST STEEL, PAINTED BLACK
 24" 72"



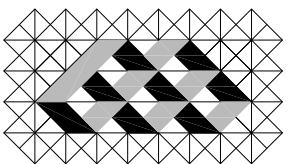
APPROXIMATE WEIGHT OF BENCH 140 LBS
 C STRAIGHT BENCH - 6' ISOMETRIC



1" Ø STEEL TUBE, PAINTED BLACK
 END GABLE CAST STEEL, PAINTED BLACK
 1 1/2" X 1/8" STEEL FLAT BAR, PAINTED BLACK
 INTERMEDIATE VERTICAL SUPPORT STEEL FLAT BAR, PAINTED BLACK
 INTERMEDIATE GABLE CAST STEEL, PAINTED BLACK
 24" 48"



APPROXIMATE WEIGHT OF BENCH 100 LBS
 D STRAIGHT BENCH - 4' ISOMETRIC



SOHEIL MOSUN LIMITED

www.sheilmosun.com
 34 GREENSBORO DRIVE
 TORONTO, ONTARIO M9W 1E1
 TEL: (416) 243-1600 • FAX: (416) 243-7132

This drawing, depicting original designs by Soheil Mosun Limited, is the property of Soheil Mosun Limited. It is loaned under the express condition that it must not be copied or used in any way without the written permission of Soheil Mosun Limited and must be returned on demand.

REVISION HISTORY

CUSTOMER

PROJECT
 BENCHES STRAIGHT

QUANTITY

DESCRIPTION
 STEEL AND WOOD BENCHES

UNLESS OTHERWISE STATED, TOLERANCES TO BE AS FOLLOWS

FRACTIONAL	DECIMAL	ANGULAR
±1/32"	.XX ±.030"	±0.5°
	.XXX ±.010"	

SCALE

DATE

DRAWN BY

REVISION No.

CUSTOMER REF No.

SML ORDER NO.

DRAWING NUMBER